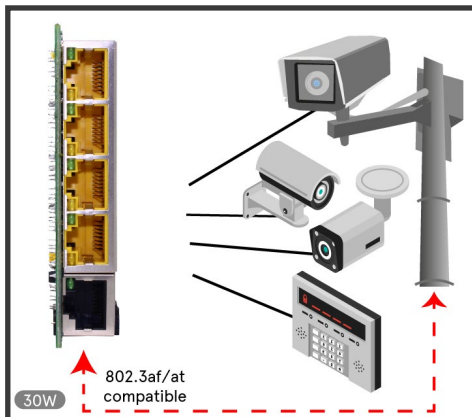
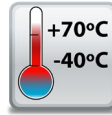
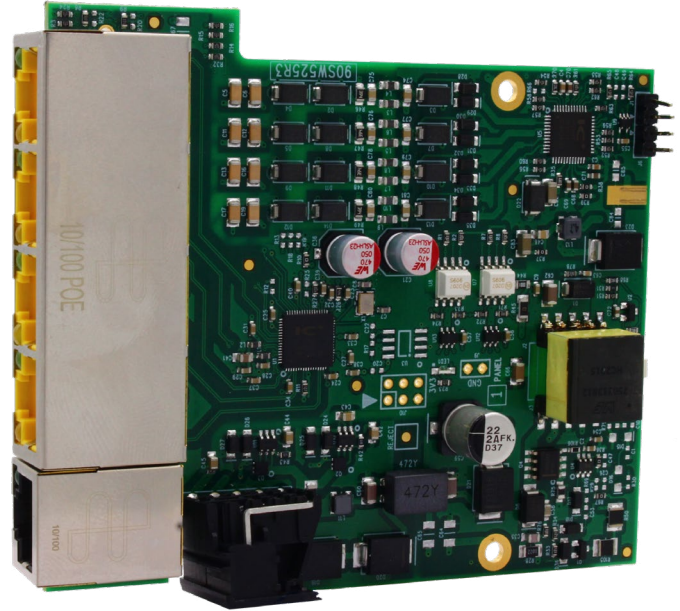


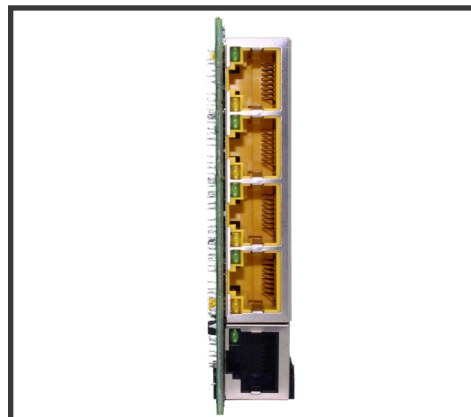
SW-125 Embedded Industrial 5 Port PoE+ Ethernet Switch

5 Port (Ports 1-4 PoE+) Unmanaged 10/100 Ethernet Switch

- 5 port PoE+ 10/100 Fast Ethernet device
- Ports 1-4 PoE+ capable
- Fully compliant to IEEE 802.3af/at
- PoE Power Budget: 90W @ 70°C between all 4 PoE ports simultaneously
- Industrial temp range: -40°C to +70°C
- Redundant dual power inputs: +44V to +57V DC
- Compact, embeddable design
- Allows power and data to be combined on the same Ethernet cable



Send power and data to remote CCTV cameras, PoE telephones, PoE Wifi access points, NVRs, and more



Embedded format, takes up minimal space, with mounting holes connected to Functional Earth



Provides additional Ethernet ports for your custom application

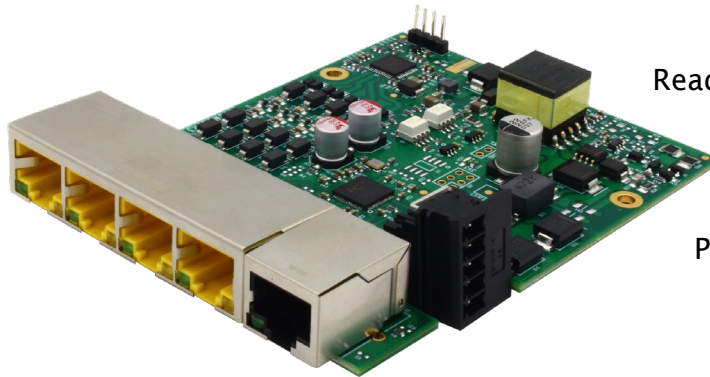
SW-125

Embedded Industrial 5 Port PoE+ Ethernet Switch

90W PoE Power Budget shared between 4 Ethernet Ports

-40°C to +70°C/-40°F to +158°F temperature range

Ports 1-4 IEEE 802.3af/at compliant: deliver up to 30W to each port (backwards compatible)



Ready for embedded applications

Automatic detection of data transmission speed: 10 or 100 MBps

Power consumption is optimised based on the status of the link device

2k Byte maximum packet size - improves the efficiency of bulk data transfer and system performance

Easy Wire Removable screw terminal block

Dual redundant power input: +44VDC to +57VDC

Connectors

Screw Terminals	3.5mm pitch, #22 - #14, 0.5mm ² -2.5mm ² pin power supply
Wire Thickness	0.150 inch, 3.81mm, 20 pins, 12+8 screw terminals, #26 - #16 AWG, 0.14mm ² -1.3mm ²

Power Supply

Power Consumption	Ports 1-4 IEEE 802.3af/at compliant: deliver up to 30W to each port (backwards compatible) 4 Watts Max : 91mAmps@+44VDC/70mAmps@+57VDC
PoE Power Budget	90W @ 70°C
Power Supply input	Unregulated +44V to +57Volts DC, reverse polarity protection
Isolation	1500VRMS Magnetic isolation from Ethernet

Environmental

Operating Temperature	-40°C to +70°C/-40°F to +158°F
Storage Temperature	-40°C to +70°C/-40°F to +158°F
Ambient Relative Humidity	5 to 95% (non-condensing)

Magjack LED Information

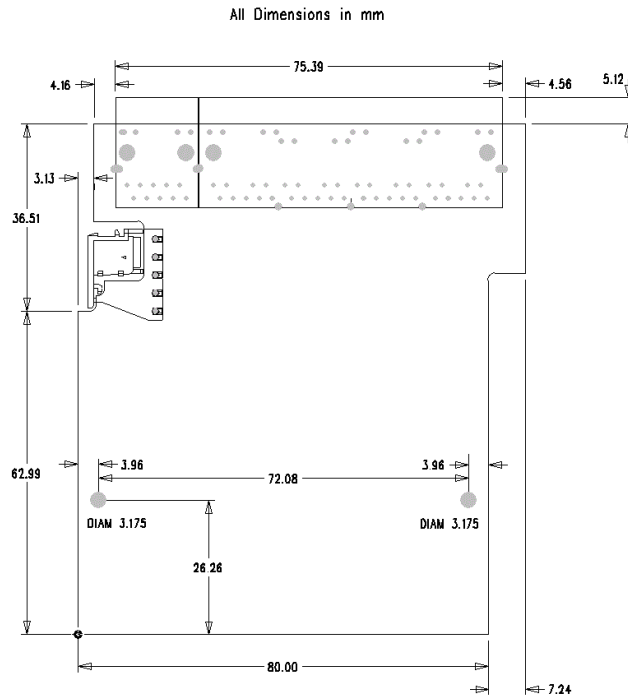
Link/Activity LED	Solid green	Connection established
	Flashing Green	Data communication
PoE Power LED (Ports 1-4)	Solid Yellow	PoE Power ON
	Flashing Yellow	Power Warning

Ethernet

Ethernet Port	5 x RJ45 jack, 10/100Mhz autosensing, crossover auto sensing (Auto MDIX)
Protection	1,500 Volts magnetic isolation between ports
Housing	This device is uncased for embedded applications The mounting holes are connected to Functional Earth

SW-125

Embedded Industrial 5 Port PoE+ Ethernet Switch



Ethernet Ports x4 Pin Outs

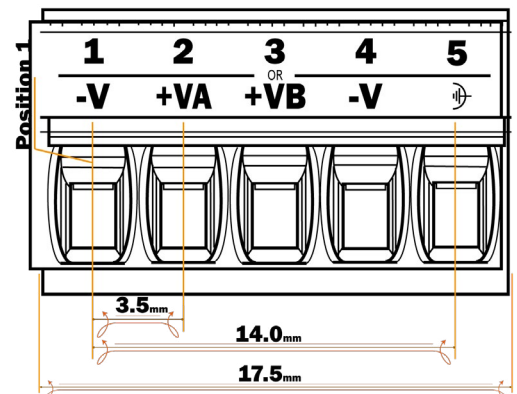
PoE Pinout 1/2(V+) 3/6(V-) Endspan Mode A

PIN	FUNCTION
1	Tx+ DC+
2	Tx- DC+
3	Rx+ DC-
4	unused
5	unused
6	TRx- DC-
7	unused
8	unused

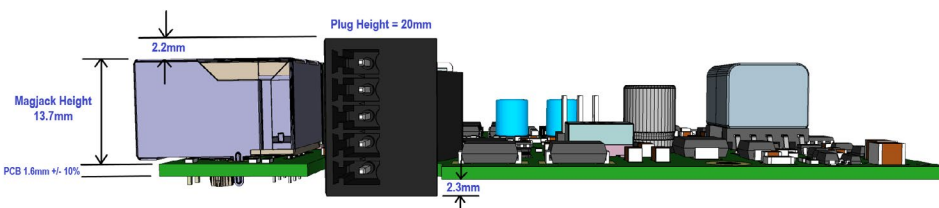
Power Terminal Pin Outs

PIN	FUNCTION
1	-V
2	+VA
3	+VB
4	-V

5 position 3.5mm pitch pluggable terminal block included



5 position 3.5mm pitch socket compatible with Euroblock pluggable terminal block connectors



Lifetime Warranty and Support:

We can help with every aspect of your project, from getting you up and running to custom application.

SW-125

Embedded Industrial 5 Port PoE+ Ethernet Switch

Product Information

Product Weight	0.076 kg, 2.68 ounces
Product Dimensions	100x90x60 mm, 3.9x3.5x2.4 inches

Packaging Information

Packaging	Quick Start Guide, Device
Packaged Weight	0.226 kg, 7.97 ounces
Packaged Dims	160x135x49 mm, 6.3x5.3x1.9 inches
GTIN Universal Code	837324004588

Industry Approvals

	Microsoft Certified Gold Partner, WEEE, RoHS, AEO (C-TPAT), CE, UKCA, METL Complies with UL62368-1
HTS	8517620000
ECCN	5A991.b
CAGE	8QCY6

Warranty

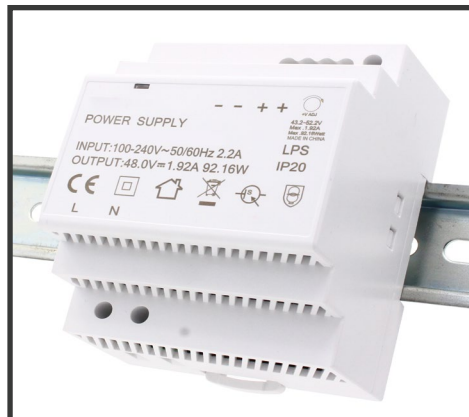
Support	Lifetime - online registration required
	Lifetime Web, Email & Phone Support from fully qualified, friendly staff who work in and alongside the Product Development Team

Standards

OEM option	ISO9001, ISO14001
COO (Country of Origin)	Available for bulk buy OEM
Made In	GB
Customisable	Manufactured in GB by Brainboxes
	Brainboxes operate a 'Perfect Fit Custom Design' policy for volume users More info: sales@brainboxes.com



PW-323
PoE Splitter



PW-301
DIN Rail Power Supply



SW Range
Switch products available
in a range of formats and
specifications.
www.brainboxes.com